

CVP1 RANGE

this product information has been extracted from

theheatingbook



Tel: Customer Services: 0870 727 0101

Fax: Customer Services: 0870 727 0102

Email: customer.services@glendimplex.com **Website:** www.dimplex.co.uk



Model CVP1

NEW

Dual Warmth Heater

CVP1

This stylish new slimline heater combines two heat sources for instant heat from the front panel and longer lasting heat from the rear oil filled panel.



- Oil panel provides a more comfortable, long lasting heat
- Easy to control and select your heat sources to create the perfect room temperature
- Instant heat - use as first choice to warm up cold rooms

CONTROLS

Two heat settings, one operating the 450W oil filled panel and the other controlling the 550W front panel. Both switches have neon indicator thermostat. Use together or independently to reach your desired room temp.

COLOUR/FINISH

White/Light Grey

CABLE/PLUG

Supplied with cable and fitted with 13 amp plug.

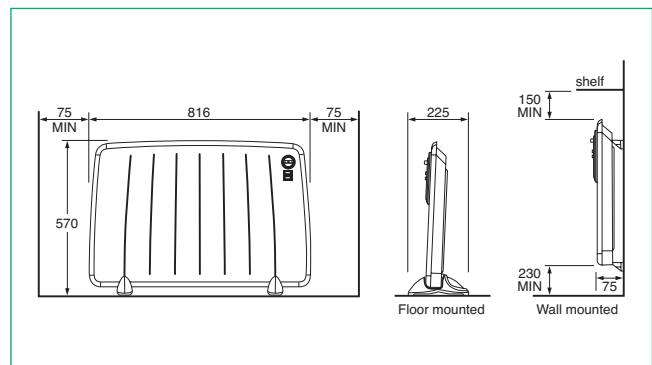
SAFETY PROTECTION

2 x Auto re-set cut out and fail safe.

CVP1 FEATURES

- Rapid heat up panel and oil filled panel, combine to give a powerful 1 kW of heat.
- Slim-line design.
- Thermostatically controlled with frost protection.
- Choice of heat settings with neon indicators.
- Free standing or wall mountable.
- Overheat protection
- 3 year guarantee

CVP1 TECHNICAL SPECIFICATION



| MODEL | LOADING (kW) | HEIGHT with feet | WIDTH | DEPTH with feet | WEIGHT (kg) |
|-------|--------------|------------------|-------|-----------------|-------------|
| CVP1 | 1.0 | 570 | 816 | 225 | 12.2 |

* All dimensions are in mm

After Sales Service

After sales service if required is absolutely no problem with Dimplex – we have a network of appointed Service Agents spread throughout the Country who are qualified and trained to repair or service any of our appliances.

Bathrooms

Any electrical appliances installed in a bathroom should be fitted by a competent electrician in accordance with the current I.E.E. Regulations.

Portable heaters are NOT suitable for use in a bathroom.

Unless otherwise specified in this brochure, heaters that can be permanently fixed have to be so mounted that any controls cannot be reached by a person using a bath or shower. This restriction does not apply to Dimplex heated towel rails, which do not have controls.

Safety

Dimplex products are designed to comply with EN60335 the British Standard covering the safety requirements of electric heating appliances, and momentary contact with any part of the heater should not cause injury. However, in order to be effective, heaters or towel rails of any type do get hot especially (if applicable) around the air outlet grille. Therefore if aged or infirm persons, or young children, are likely to be left unsupervised in the vicinity of a heater we advise that precautions should be taken. We recommend that a guard is fitted around the heater, as is normal with many types of heating appliance in similar circumstances, to ensure contact with the heater is avoided and objects cannot be inserted into the product.

(Please see page 36 for details of accessory guards.)

Heating appliances should never be covered or positioned where objects may fall onto them.

Specifications

Dimplex policy is one of continuous improvement; the Company therefore reserves the right to alter specifications without notice. Although every care has been taken in the reproduction of product finishes in this brochure, the colour photographs should be taken only as a guide. The information contained in this brochure is correct at the time of printing. You are advised to consult your Dealer before purchasing.

Plugs

All portable appliances are supplied with a fitted plug.

British Electrotechnical Approvals Board BEAB Approved

The mark of the British Electrotechnical Approvals Board signifies that the appliance bearing it has been produced to the stringent safety requirements for domestic electrical appliances as laid down in EN60335.



CE Mark

Products carrying the CE mark comply with European safety standards and the European Standard for electro-magnetic compatibility.



Installation Guidance

This brochure is designed to assist you with your choice of Dimplex products and it is not intended as an installation guide.

For safety, products should only be installed by a competent person, in accordance with current regulations and the manufacturers instructions. If you require further advice concerning the installation of our products – especially where the installed dimensions may be critical to your choice and the location of the product – please contact our customer service department on 0870 727 0101 or consult your installer.

Please note that the dimensions contained within this brochure do not in all cases include clearances required around installed products for safe operation.

Additional Literature

In addition to this publication we have separate, more detailed brochures on the following products:

- DuoHeat radiator
- Under-Tile heating
- Water Heating
- Commercial heating
- Fires and surrounds

Please ring our brochureline for your copy

Useful Numbers

Tel: Customer Services: 0870 727 0101
Brochure line: 0870 727 0115

Fax: Customer Services: 0870 727 0102
Brochure line: 0870 727 0123

Email: customer.services@glendimplex.com

Websites: www.dimplex.co.uk
www.smarter-heating.co.uk

Dimplex, Twin Sensor and Quartzray are all Registered Trade Marks in the United Kingdom.

Dimplex Optiflame fires are protected by patent Nos: GB2230335, AU621713, USA4965707, IE63651 and NZ232435.

All the Optiflame products shown in this brochure are protected by intellectual property rights owned by Glen Dimplex UK Limited or members of the Glen Dimplex Group on an international basis. The Glen Dimplex Group of Companies will actively protect these rights.

© Glen Dimplex UK Limited

All rights reserved. Material contained in this publication may not be reproduced in whole or in part, without prior permission in writing of Glen Dimplex UK Limited.

Dimplex®

Making life comfortable

Marketing Department, Millbrook House, Grange Drive, Hedge End, Southampton, SO30 2DF. Telephone: 0870 077 7117 Fax: 0870 727 0109

Designed and produced by Carrington Caunter Associates Limited, Christchurch (Bournemouth). Telephone 01202 499612

Selected furniture supplied by BoConcept, Bournemouth / The Furnishing Place, Maidenhead.

Kitchens from Interfit Design Studio, New Milton, Hants. Locations courtesy of: Broomhill Conservatories, Christchurch, Dorset. Coastal Bathrooms, New Milton, Hants.

D1170/1004