



Model CXD2000H

NEW

Ceramic radiant heaters the CXD range

Using long-wave infra-red technology, these brand new radiant heaters use ceramic elements to radiate heat with no distracting light output.

Perfect where robust radiant heating is required, these heaters provide a heating effect just like the Sun, and can be mounted inside or outside for zone heating.

Offered in vertical (2 x elements stacked) or horizontal (2 x elements side to side) formats, these 2kW models are ideal “people heaters” whether inside or out.

CXD RANGE FEATURES

- Robust ceramic elements for efficient radiant heating.
- Can be mounted inside or outside.
- Silent operation.
- No visible light output.
- Adjustable mounting bracket.
- Fitted guard included.
- Choice of vertical or horizontal 2kW models.



Model CXD2000V

CXD CERAMIC RADIANT HEATERS

ELEMENTS

The ceramic element is an efficient, robust element, which provides long wave infrared radiation and operates at a temperature of 700°C.

REFLECTOR

Specular quality electrochemically brightened aluminium (purity 99%+).

BODY

Powder coated steel.
Finished in High Temperature matt black.
IPX4 rated.

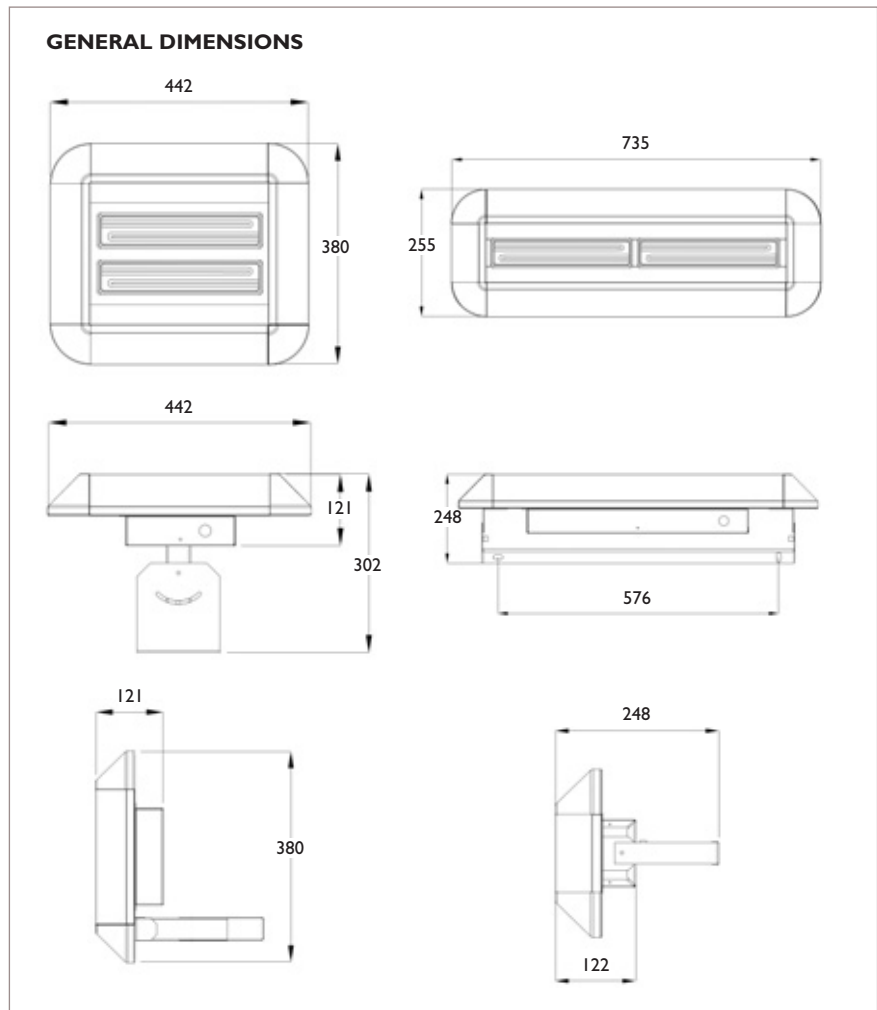
ELEMENT GUARD

Chromium plated mild steel (fitted as standard).

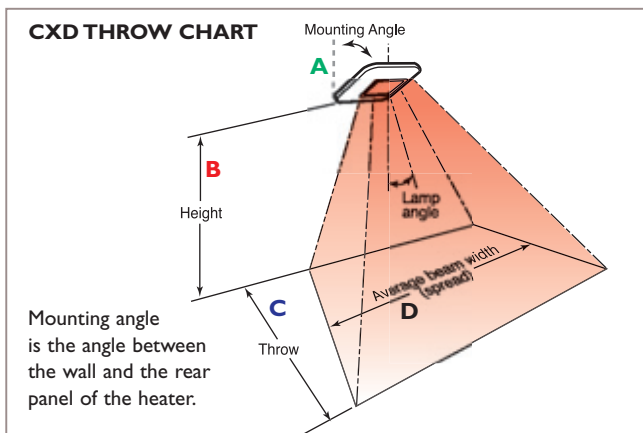
ELECTRICAL SUPPLY

All models can be installed in conjunction with zone and time controls as required.

GENERAL DIMENSIONS



SPECIFICATIONS AND DIMENSIONS								
MODEL NO.	INPUT LOADING	NUMBER OF ELEMENTS	ELECTRICAL SUPPLY	DIMENSIONS HEIGHT	DIMENSIONS LENGTH	WEIGHT	MINIMUM HEIGHT	RECOMMENDED HEIGHT
CXD2000V	2.0kW	2	230-240V~ 1PN	380mm	442mm	5.35kg	1.8m	2.0m
CXD2000H	2.0kW	2	230-240V~ 1PN	255mm	735mm	5.1kg	1.8m	2.0m



CXD SPREAD

(m)	CXD2000H		CXD2000V	
HEIGHT B	THROW C	SPREAD D	THROW C	SPREAD D
1.8m	1.8m	1.3m	1.6m	1.1m
2.0m	2.0m	1.4m	1.8m	1.3m
2.3m	2.2m	1.6m	1.9m	1.4m
2.5m	2.4m	1.8m	2.1m	1.6m
2.7m	2.5m	1.9m	2.3m	1.7m

A All figures are for 45° mounting angle

- High intensity (80 W/m²)
- ▒ Medium intensity (65 W/m²)
- Low intensity (50 W/m²)

For a copy of our new, more detailed commercial brochure, please ring our Brochureline on 0870 727 0115