

ultra slim panel convector heaters

BUILDING REGULATIONS
PART L COMPLIANT

the PLX range

The all new PLX range is a popular choice for specifiers, home owners and contractors who demand stylish, space saving and efficient electric heating systems. Styled to complement our popular XL storage heaters and DuoHeat radiators, PLX panel heaters are often used to heat areas such as bedrooms, bathrooms, kitchens and other areas, which only require heating for short periods of the day.

They are also a cost effective way to extend an existing heating system when buildings are being refurbished or new rooms added.

Range features

- Completely new range for 2006 including 2 new outputs.
- Full range available in willow white to match XL storage heaters. 24 hour timer (TI) models also available in pure white to complement DuoHeat radiators.
- Convected heat for rapid warm-up.
- Suitable for domestic or commercial use.
- Choice of models with or without timers.
- All models splashproof (IPX4 rated) for use in bathrooms and other wet areas.
- High accuracy adjustable thermostat responds to very small changes in room temperature to reduce temperature drift. *
- Frost protection setting. **
- PLX TI models have programmable 24-hour timers.
- Option of 7-day timer on 2kW and 3kW models.
- Front air outlet grille for efficient heat circulation.
- Lockable dust cover protects controls.
- Detachable hinged wall mounting frame for fast installation and easy cleaning.
- PLX NC models with no built-in controls for use with remote controllers.

* PLX TI, PLX TX models or PLX NC models fitted with appropriate external thermostat/timer (see page 27).

** Not applicable to PLX NC range.



Model PLX500WTI (white)



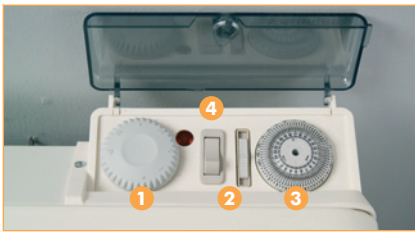
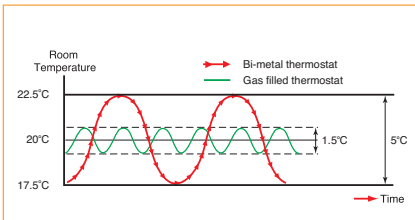
Model PLX750TI (willow white)

technical specifications

Sensitive Thermostat

Conventional bi-metal thermostats can allow "drift" of as much as 5°C in room temperature owing to the effects of the changing heater output, resulting in discomfort for the user and energy wastage.

Dimplex PLX panel heaters feature close tolerance gas-filled thermostats, maintaining room temperatures to within +/- 1.5°C, eliminating resultant under/over heating and improving user comfort and energy efficiency.



Controls

1 Thermostat control

User selection of room temperature from 5°C (frost protection) to 35°C using rotary knob.

2 On/off switch

A single pole on/off switch controls the electricity supply to the heater. A neon indicator will illuminate when the switch is ON and power is being supplied to the elements.

3 Built-in 24 hour/7 day programmers (TI/TX models)

Incorporating accurate and reliable timers, the built-in 24 hour time clock on the PLX/TI models enables daily heating needs to be programmed in advance. The clock may be set to switch on and off as often as required throughout the day.

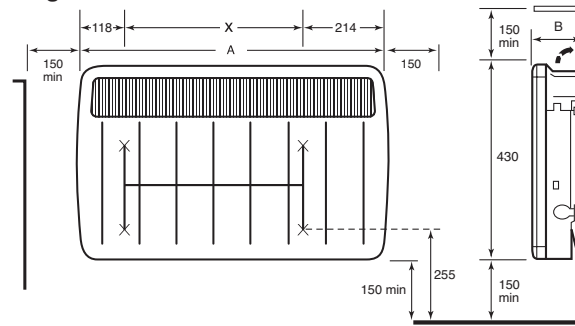
When heat is needed unexpectedly, an override switch enables the timer to be by-passed without altering the pre-set programme. The selector control also has an OFF position.

Models PLX2000TX and PLX3000TX feature seven day timers, allowing different weekday and weekend programmes and are ideal for commercial or office use.

4 Heat selection switch

Each model incorporates a half heat selection switch, enabling the smallest model to be switched to just 250W, ideal for small rooms. The thermostat operates on full or half load.

Main and Fixing Dimensions



Model No	Loading	Width (A)	Height	Depth (B)	X	Colour	Weight
Thermostat only models							
PLX500	0.5kW	450mm	430mm	108mm	117mm	Willow White	4.8kg
PLX750	0.75kW	620mm	430mm	108mm	287mm	Willow White	6.2kg
PLX1000	1.0kW	620mm	430mm	108mm	287mm	Willow White	6.2kg
PLX1250	1.25kW	690mm	430mm	108mm	355mm	Willow White	6.6kg
PLX1500	1.5kW	690mm	430mm	108mm	355mm	Willow White	6.6kg
PLX2000	2.0kW	860mm	430mm	108mm	527mm	Willow White	8.0kg
PLX3000	3.0kW	860mm	430mm	143mm	527mm	Willow White	10.0kg
24 Hour Timer models							
PLX500TI	0.5kW	450mm	430mm	108mm	117mm	Willow White	4.8kg
PLX750TI	0.75kW	620mm	430mm	108mm	287mm	Willow White	6.2kg
PLX1000TI	1.0kW	620mm	430mm	108mm	287mm	Willow White	6.2kg
PLX1250TI	1.25kW	690mm	430mm	108mm	355mm	Willow White	6.6kg
PLX1500TI	1.5kW	690mm	430mm	108mm	355mm	Willow White	6.6kg
PLX2000TI	2.0kW	860mm	430mm	108mm	527mm	Willow White	8.0kg
PLX3000TI	3.0kW	860mm	430mm	143mm	527mm	Willow White	10.0kg
PLX500WTI	0.5kW	450mm	430mm	108mm	117mm	White	4.8kg
PLX1000WTI	1.0kW	620mm	430mm	108mm	287mm	White	6.2kg
PLX1500WTI	1.5kW	690mm	430mm	108mm	355mm	White	6.6kg
PLX2000WTI	2.0kW	860mm	430mm	108mm	527mm	White	8.0kg
7 Day Timer models							
PLX2000TX	2.0kW	860mm	430mm	108mm	527mm	Willow White	8.0kg
PLX3000TX	3.0kW	860mm	430mm	143mm	527mm	Willow White	10.0kg
No Controls models							
PLX500NC	0.5kW	450mm	430mm	108mm	117mm	Willow White	4.8kg
PLX750NC	0.75kW	620mm	430mm	108mm	287mm	Willow White	6.2kg
PLX1000NC	1.0kW	620mm	430mm	108mm	287mm	Willow White	6.2kg
PLX1250NC	1.25kW	690mm	430mm	108mm	355mm	Willow White	6.6kg
PLX1500NC	1.5kW	690mm	430mm	108mm	355mm	Willow White	6.6kg
PLX2000NC	2.0kW	860mm	430mm	108mm	527mm	Willow White	8.0kg

PLX NC Range

Supplied with no controls (except internal safety cut-out) and designed specifically for use with Dimplex wall mounted remote controls. Six outputs are available, up to 2.0kW. See page 27 for details of compatible control options.

Thermostat

Gas filled type. Accurate to within 1.5°C. Range 5°-35°C.

Element

Compact, finned, mineral-filled sheathed type, providing silent operation.

Thermal Cut-out

Auto reset type.

Construction

Durable epoxy-polyester powder coated steel casing, with forward facing grille. Temperature resistant PBT thermoplastic moulded parts.

Colour/Finish

Standard models: willow white front and rear panels, with contrasting birch grey grille. PLXWTI models: pure white front, rear and grill.

Installation

Detachable wall mounting bracket.

Electrical Connections

1.2m, of supply cable fitted to each heater.

IP Rating

Splashproof IPX4