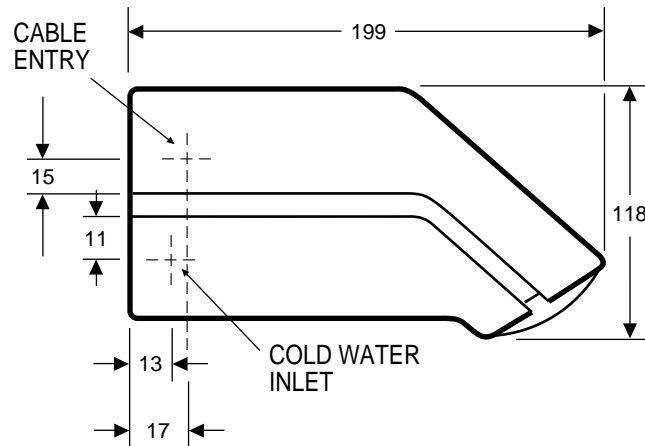


ALTERNATIVE
REAR ENTRY FOR
WATER & ELECTRICS



Specification and Ordering Guide

Model	Rating @ 240V kW	Height mm	Width mm	Depth mm	Product Code
Concept	3	11	104	199	95:020:042z