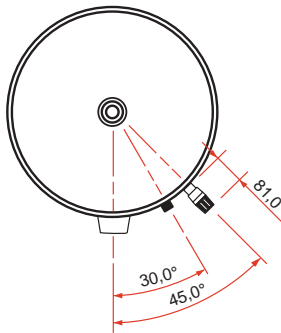
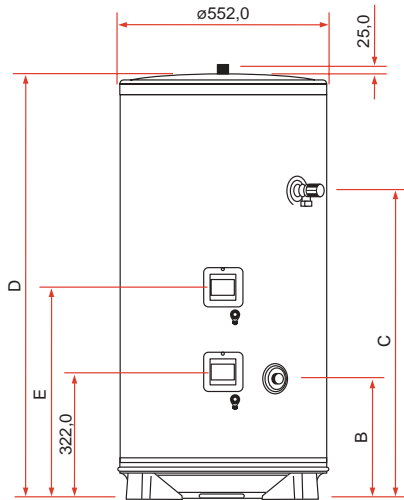


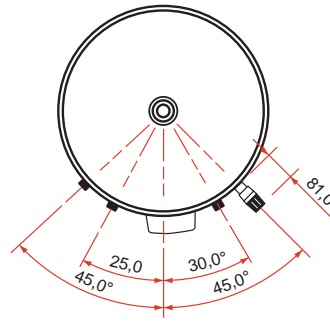
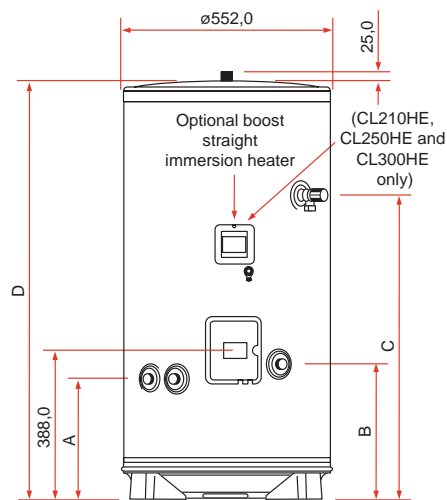
# Megaflo HE

Unvented water heating

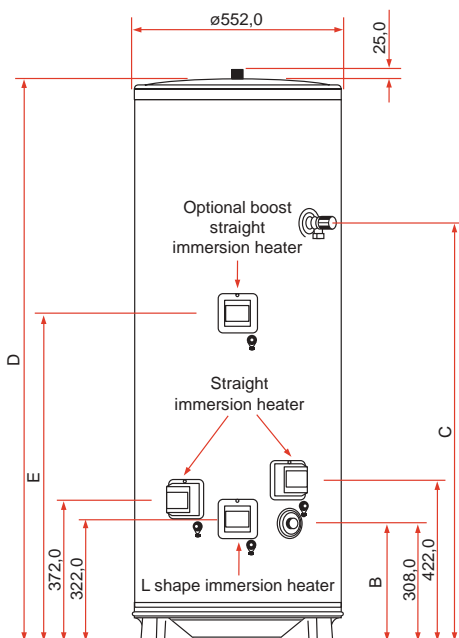
## Direct (D,DD)



## Indirect (CL)



## Direct (DDD)



## Dimensions table

Size	Type		Dimensions				
	Direct	Indirect	A	B	C	D	E
70	D		N/A	308	494	784	N/A
70		CL	315	354	494	784	N/A
125	D		N/A	308	793	1090	541
125		CL	315	354	793	1090	N/A
145	D		N/A	308	894	1215	642
145		CL	315	354	894	1215	N/A
170	D		N/A	308	1019	1372	767
170		CL	315	354	1019	1372	N/A
210	D		N/A	308	1095	1474	861
210		CL	315	354	1095	1474	861
250	D		N/A	308	1322	1726	1071
250		CL	315	354	1322	1726	1071
300	D		N/A	308	1573	2040	1375
300		CL	315	354	1573	2040	1375