

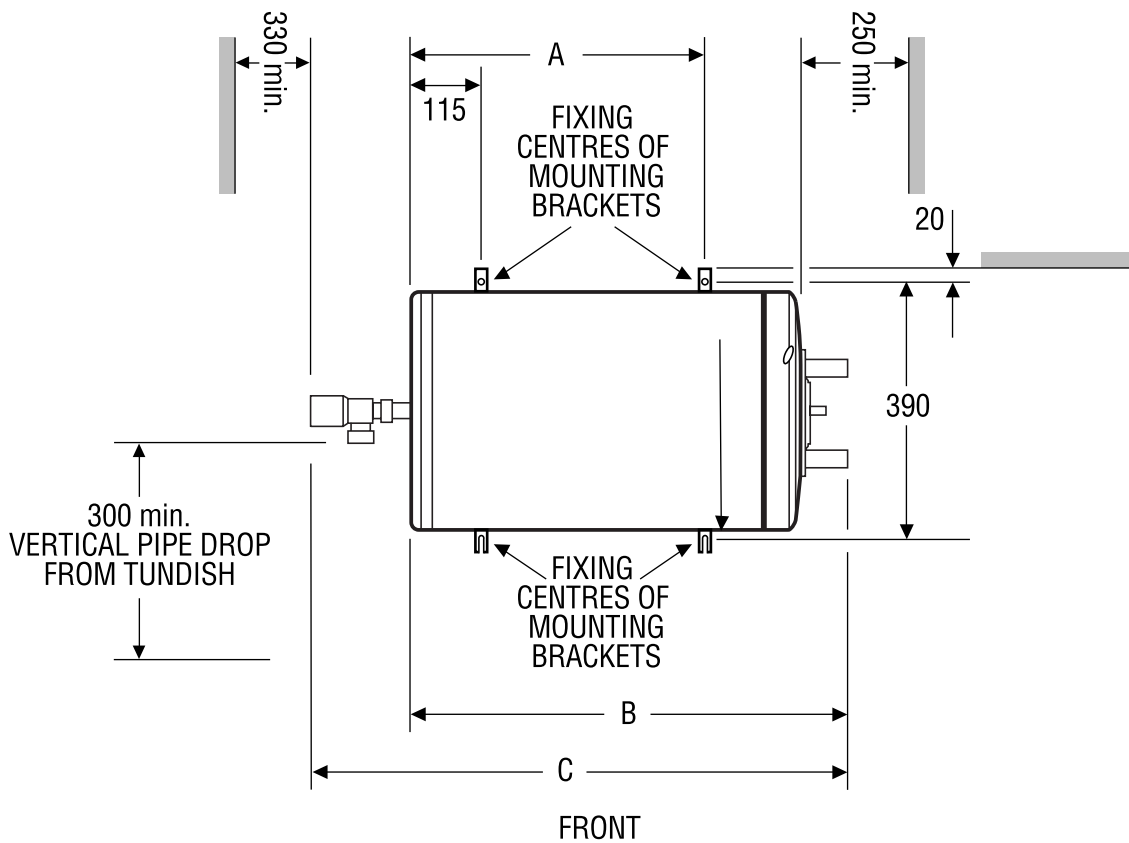
Specification and Ordering Guide

Model	Capacity litre	Rating @240V kW	A mm	B mm	C mm	D mm	Weight		Product Code
							empty kg	full kg	
Multipoint	30	1	616	665	788	506	12.5	42.5	95:050:152
Multipoint	30	3	616	665	788	506	12.5	42.5	95:050:150
Multipoint	50	1	888	937	1060	777	19.3	69.3	95:050:153
Multipoint	50	3	888	937	1060	777	19.3	69.3	95:050:151

Supplied complete with external expansion vessel, combined pressure reducing valve and strainer, check valve, expansion valve, tundish and wall brackets.

Accessory Pack U3

95:970:354



Specification and Ordering Guide

Model	Capacity litre	Rating @240V	A mm kW	B mm	C mm	Weight		Product Code
						empty kg	full kg	
Multipoint	30	3	470	665	788	12.5	42.5	95:050:154
Multipoint	50	3	742	937	1060	19.3	69.3	95:050:157

Supplied complete with external expansion vessel, combined pressure reducing valve and strainer, check valve, expansion valve, tundish and wall brackets.

Accessory Pack U3

95:970:354