

# Lo-Carbon Centra



## dMEV Unit



### Features and Benefits

- Part F compliant, System 3 Continuous mechanical extract.
- SAP Appendix Q eligible - Low SFP on SAP Q.
- Quietest dMEV available.
- Discreet, tasteful styling.
- Single fan for use in all applications.
- IPX4 rated
- Ceiling, panel or wall mounting.
- Constant volume option.
- Normal and Boost speeds.
- LoWatt motor offering 90% energy savings and long life.
- 5 Year Motor Guarantee

### What is de-centralised MEV (dMEV)

The Building Regulations Part F gives examples of four main methods of ventilation, System 3, Continuous mechanical extract ventilation can be achieved using a single centralised extract unit such as the Sentinel Multivent ducted to 'wet' rooms (kitchen, bathroom, en-suite and WC) or by decentralised individual fans in the 'wet' rooms. The fans run continuously at near silent levels providing a simple and effective form of ventilation. The Centra meets the latest requirements of the Building Regulations Document F 2006 for wholehouse system ventilation.

The Vent-Axia Centra is a continuously running extract fan delivering ultra quiet ventilation with minimal energy consumption.

The adjustable 'Normal' running speeds make it suitable for continuous extract in kitchens, bathrooms, en-suites and utility areas. This means that only one fan type is required for any dwelling.

Selection of the two normal flow rates (6l/s or 9l/s) is via a simple 'jumper' on the control board. Switched Live input allows the fan to be boosted to 15l/s by a range of Vent-Axia sensors, or by a single light switch.

The attractive and discreet styling of the Vent-Axia Centra will complement the décor of any new home while virtually silent

operation ensures optimum ventilation is achieved without intrusive noise.

### Lo-Carbon Centra

The SAP Appendix Q eligible Centra has a specific fan power of only 0.18 w/l/s in through-the-wall kitchen applications.

### Models

#### Lo-Carbon Centra

Optional Constant Volume CAS  
The integral digital air velocity sensor will monitor the airflow and maintain the preset extract flow rate of either 6l/s, 9l/s or 15l/s, minimising energy use and noise.

**Stock Ref**  
**441782**

#### Lo-Carbon Centra T (Timer)

Ideal for bathroom and toilet applications, this unit runs continuously on trickle setting and may be boosted by the switched live input which activates the timer (adjustable up to 30 minutes). DOM

**Stock Ref**  
**442954**

#### Lo-Carbon Centra HT (Humidistat/Timer)

For bathroom/toilet applications, the continuous running HT model is automatically boosted by the built-in humidistat or by a switched live input which activates the timer (adjustable up to 30 minutes). DOM

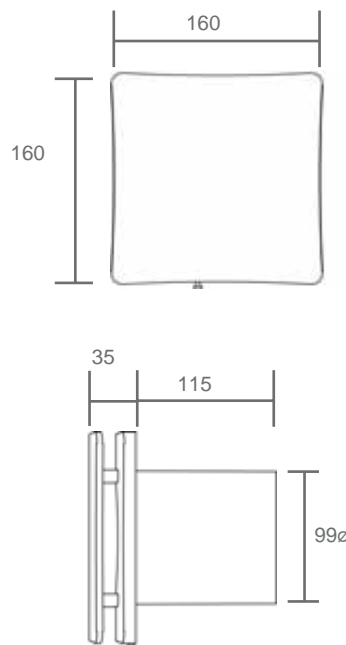
**Stock Ref**  
**442955**

### Lo-Carbon Centra HTP (Humidistat/Pullcord)

For bathroom/toilet applications, the continuous running HTP model is automatically boosted by the built-in humidistat or by the pullcord which activates the timer (adjustable up to 30 minutes). DOM

**Stock Ref**  
**443045**

### Dimensions (mm)



150mm Conversion Kit

**Stock Ref**  
**443334**

### Performance

Model	Stock ref	Extract Performance (l/s)			Power consumption (Watts)			Sound dB(A)@ 3m		
		Trickle low	Trickle high	Boost	Trickle low	Trickle high	Boost	Trickle low	Trickle high	Boost
Lo-Carbon Centra	441782	6	9	15	1.4	1.6	2.4	10.8	15.5	25.2
Lo-Carbon Centra T	442954	6	9	15	1.4	1.6	2.4	10.8	15.5	25.2
Lo-Carbon Centra HT	442955	6	9	15	1.4	1.6	2.4	10.8	15.5	25.2
Lo-Carbon Centra HTP	443045	6	9	15	1.4	1.6	2.4	10.8	15.5	25.2

For Wall Kits (see page 89)

**WWW.**  
**DEALEC**  
**.COM**

13-15 Priory Gate Road  
Tel: 01304 215 575

DOVER Kent CT17 9SA  
email: [info@dealec.co.uk](mailto:info@dealec.co.uk)