

Xpelair Nouvelle Cuisine

Kitchen canopies



90 Curved

Key features

Type:	Kitchen canopy
Application:	Domestic kitchens
Control options:	Integral
Legislation:	Conforms to Building Regulations Part F1



The Range

For many households the kitchen is the busiest room in the home. As well as an area for cooking, it is often the main focal point for family and guests.

But with cooking odours, steam and condensation continually building up, keeping the kitchen fresh and pleasant is a constant problem. The **Nouvelle Cuisine** range of kitchen canopies is elegantly designed to suit every kitchen design and budget.

Using powerful extraction and filters every model in the range will keep rooms free of steam and odour – leaving behind a fresh and comfortable environment.

Crafted from high quality materials such as stainless steel and glass and equipped with push button controls and built-in spotlights, the **Nouvelle Cuisine** kitchen canopies are a stylish addition to any kitchen.

With wall fix, island and built-in models available, the **Nouvelle Cuisine** range provides flexibility and choice for the perfect fit, practicality and ease of use.

Typical Specifications on page 165.
Wiring Diagrams on page 183.

Models

90 Curved

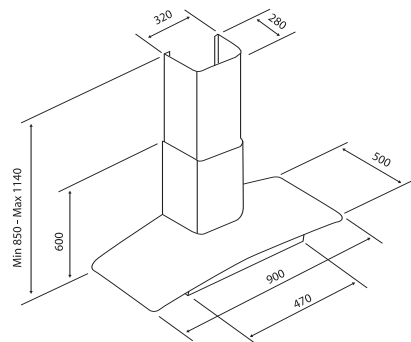
Ref. 91202AW

Description: 90cm Curved Glass Canopy
Finish: Stainless Steel and Glass
Duct size: 125mm

Features / Specification

- 90cm Curved Glass Canopy
- 3 speed levels
- Stainless steel finish
- Recirculation or extraction
- Maximum extraction rate 480m³/h
- Electronic touch control
- 200W motor
- Twin 50W halogen spotlights
- Aluminium grease filter
- Optional carbon filter system

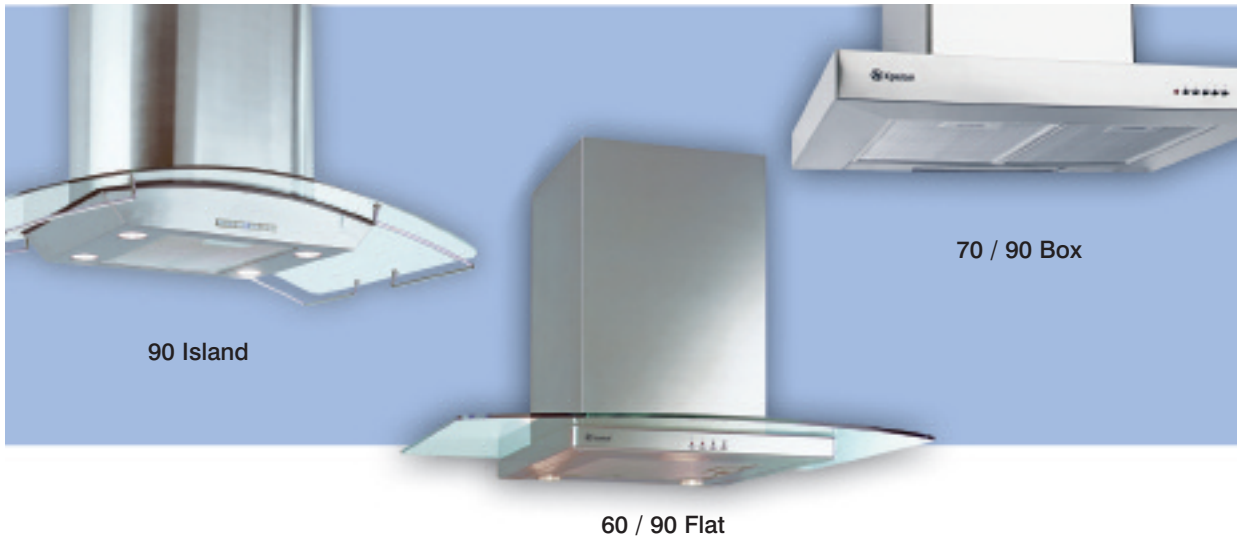
Dimensions



Splashbacks

	60	70	90	100	110
Reference number	91204AW	91205AW	91206AW	91207AW	91208AW
Finish	stainless steel	stainless steel	stainless steel	stainless steel	stainless steel
Size (mm)	w600 x h750	w700 x h750	w900 x h750	w1000 x h750	w1100 x h750

	90 Curved
Reference number	91202AW
Freestanding	■
Max extraction performance (l/s)	133
Sound pressure level* (dB(A))	39
Motor rating (W)	200
Speeds	3
Recirculation	■
Extraction	■
Duct size (mm)	125
No. grease filters	1
Grease filter type	aluminium
Built-in lighting	2 x 50W
Maximum width (mm)	900
Finish	stainless steel & glass
Replacement filters	41834SK
*at low speed	



Models

90 Island

Ref. 91203AW

Description: 90cm Island Glass Canopy
Finish: Stainless Steel and Glass
Duct size: 125mm

Features / Specification

- 90cm Island Glass Canopy
- 3 speed levels
- Stainless steel finish
- Recirculation or extraction
- Maximum extraction rate 851m³/h
- Electronic touch control
- 240W motor
- Four 50W halogen spotlights
- Aluminium grease filter
- Optional carbon filter system

60 / 90 Flat

Ref. 91200AW / Ref. 91201AW

Description: 60/90cm Flat Glass Canopies
Finish: Stainless Steel and Glass
Duct size: 125mm

Features / Specification

- 60/90cm Flat Glass Canopies
- 3 speed levels
- Stainless steel finish
- Recirculation or extraction
- Maximum extraction rate 480m³/h
- Electronic touch control
- 200W motor
- Twin 50W halogen spotlights
- Aluminium grease filter
- Optional carbon filter system

70 / 90 Box

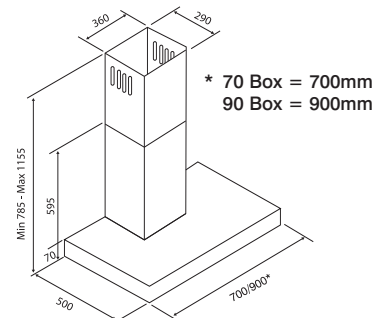
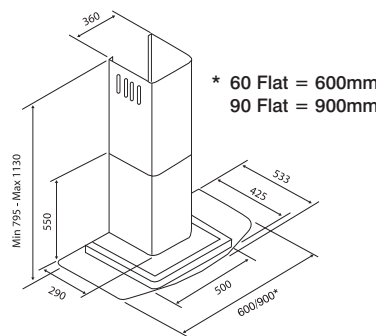
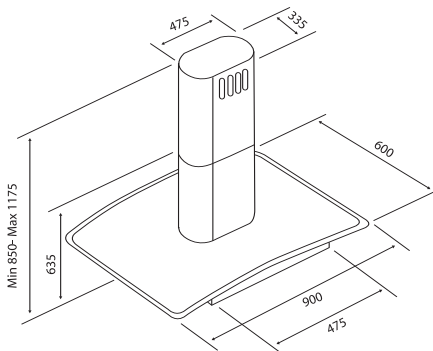
Ref. 91198AW / Ref. 91199AW

Description: 70/90cm Box Canopies
Finish: Stainless Steel
Duct size: 125mm

Features / Specification

- 70/90cm Box Canopies
- 3 speed levels
- Stainless steel finish
- Recirculation or extraction
- Maximum extraction rate 480m³/h
- Push button control panel
- 200W motor
- Built in twin lights
- Twin aluminium grease filters
- Optional carbon filter system

Dimensions (mm)



90 Island	60 Flat	90 Flat	70 Box	90 Box
91203AW	91200AW	91201AW	91198AW	91199AW
■	■	■	■	■
236	133	133	133	133
44	39	39	39	39
240	200	200	200	200
3	3	3	3	3
■	■	■	■	■
125	125	125	125	125
1	1	1	2	3
aluminium	aluminium	aluminium	aluminium	aluminium
4 x 50W	2 x 50W	2 x 50W	2 x 40W	2 x 40W
900	600	900	700	900
stainless steel & glass	stainless steel & glass	stainless steel & glass	stainless steel & glass	stainless steel & glass
41834SK	41834SK	41834SK	41834SK	41834SK

Xpelair Nouvelle Cuisine

Kitchen canopies



Tonda

Chimney

Inset

Models

60 / 90 Tonda

Ref. 91196AW / Ref. 91197AW

Description: 60/90cm Tonda Canopies

Finish: Stainless Steel

Duct size: 125mm

Features / Specification

- 60/90cm Tonda Canopies
- 3 speed levels
- Stainless steel finish
- Recirculation or extraction
- Maximum extraction rate 480m³/h
- Sliding control panel
- 200W motor
- Built in twin lights
- Twin aluminium grease filters
- Optional carbon filter system

60 / 90 Chimney

Ref. 91194AW / Ref. 91195AW

Description: 60/90cm Chimney Canopies

Finish: Stainless Steel

Duct size: 125mm

Features / Specification

- 60/90cm Chimney Canopies
- 3 speed levels
- Stainless steel finish
- Recirculation or extraction
- Maximum extraction rate 480m³/h
- Push button control panel
- 200W motor
- Built in twin lights
- Twin aluminium grease filters
- Optional carbon filter system

Inset

Ref. 91192AW

Description: 60cm Inset Canopy

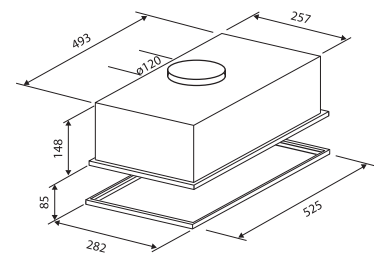
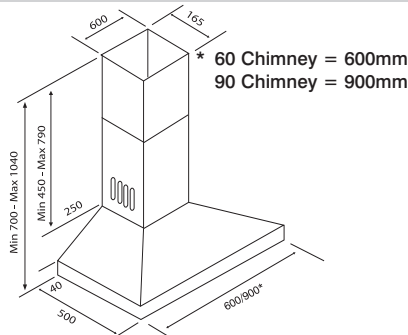
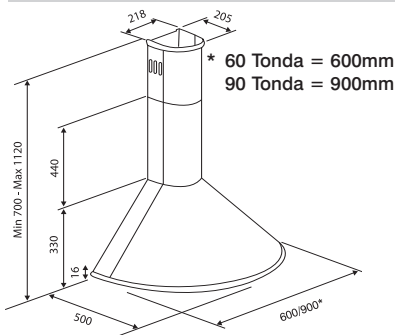
Colour: Silver

Duct size: 125mm

Features / Specification

- 60cm Inset Canopy
- 3 speed levels
- Available in silver finish
- Recirculation or extraction
- Maximum extraction rate 229m³/h
- Sliding control panel
- 140W motor
- Built in twin lights
- Carbon filter system
- Acrylic grease filter in metal grid casing

Dimensions



	60 Tonda	90 Tonda	60 Chimney	90 Chimney	Inset
Reference number	91196AW	91197AW	91194AW	91195AW	91192AW
Freestanding	■	■	■	■	■
Integrated					■
Max extraction performance (l/s)	133	133	133	133	64
Sound pressure level* (dB(A))	39	39	39	39	55
Motor rating (W)	200	200	200	200	140
Speeds	3	3	3	3	3
Recirculation	■	■	■	■	■
Extraction	■	■	■	■	■
Duct size (mm)	125	125	125	125	125
No. grease filters	2	2	2	2	1
Grease filter type	aluminium	aluminium	aluminium	aluminium	acrylic filter in metal casing
Built-in lighting	2 x 40W	2 x 40W	2 x 40W	2 x 40W	2 x 40W
Maximum width (mm)	600	900	600	900	525
Finish	stainless steel	stainless steel	stainless steel	stainless steel	silver
Replacement filters	41834SK	41834SK	41834SK	41834SK	41832SK



Integrated

Standard

Standard Plus

Models

Integrated

Ref. 91193AW

Description: 60cm Integrated Canopy

Colour: Silver

Duct size: 125mm

Features / Specification

- 60cm Integrated Canopy
- 3 speed levels
- Available in silver finish
- Recirculation or extraction
- Maximum extraction rate 480m³/h
- Sliding control panel
- 125W motor
- Built in twin lights
- Metallic grease filter in aluminium grille
- Optional carbon filter system

Standard

Ref. 91189AW - White

Ref. 91190AB - Brown

Description: 60cm Standard Canopy

Colour: White or Brown

Duct size: 125mm

Features / Specification

- 60cm Standard Canopy
- 3 speed levels
- Available in white or brown finish
- Recirculation or extraction
- Maximum extraction rate 320m³/h
- Sliding control panel
- 125W motor
- Built in twin lights
- Additional carbon filter system
- Acrylic grease filter in metal grid casing

Standard Plus

Ref. 91191AW

Description: 60cm Standard Plus Canopy

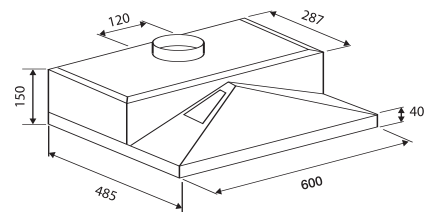
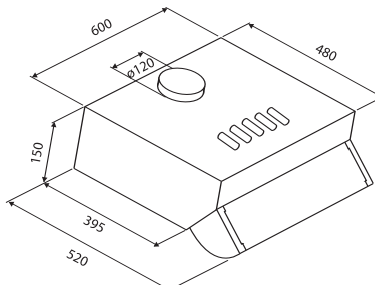
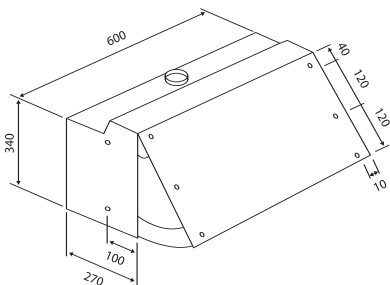
Finish: Stainless Steel

Duct size: 125mm

Features / Specification

- 60cm Plus Canopy
- 3 speed levels
- Stainless steel finish
- Recirculation or extraction
- Maximum extraction rate 200m³/h
- Sliding control panel
- 125W motor
- Built in twin lights
- Twin aluminium grease filters
- Additional carbon filter system for recirculation only

Dimensions (mm)



	Integrated	Standard	Standard	Standard Plus
Reference number	91193AW	91189AW	91190AB	91191AW
Freestanding	■	■	■	■
Integrated	■	■	■	■
Max extraction performance (l/s)	97	56	56	56
Sound pressure level* (dB(A))	39	40	40	52
Motor rating (W)	200	125	125	125
Speeds	3	3	3	3
Recirculation	■	■	■	■
Extraction	■	■	■	■
Duct size (mm)	125	125	125	125
No. grease filters	1	1	1	2
Grease filter type	acrylic filter in metal casing	acrylic filter in metal casing	acrylic filter in metal casing	aluminium
Additional carbon filter system	optional	■	■	■
Built-in lighting	2 x 40W	2 x 40W	2 x 40W	2 x 40W
Maximum width (mm)	600	600	600	600
Finish	silver	white	brown	stainless steel
Replacement filters	41833SK	41834SK	41834SK	41832SK

*at low speed