

Xpelair RX6, RX9 & RX12

Commercial roof fans



Key features

Type: **Commercial duty roof mount axial ventilation unit with roof cowl**

Application: **Pubs, restaurants, offices, kitchens, factories, squash courts, schools and shops**

Control options: **Extensive range of optional controllers available**

Legislation: **Conforms to Building Regulations Part F1**

Hole diameter: **184mm (RX6)
257mm (RX9)
324mm (RX12)**



Select the right product for your application

		RX6	RX9	RX12
Reference number		90818AW	90424AW	90425AW
Remote switch (not supplied)		■	■	■
Extract only		■		
Selectable intake, extract or controller operation			■	■
Speeds		1	2*	2*
Extract performance (FID, m ³ /h)	high	206	511	1100
	low		430	807
Extract performance (FID, l/s)	high	57	142	306
	low		119	224
Intake performance (FID, m ³ /h)	high		438	915
	low		384	709
Intake performance (FID, l/s)	high		122	254
	low		107	197
Sound pressure level (dB(A)@3m)	high	39	52	56
	low		49	48
Electrical power rating (W)		35	41	87
Hole diameter (Ømm)		184	257	324
Max wall thickness (mm)		25	25	25
Weight (kg)		3,8	4,5	7,9
Guarantee (years, UK)		3	3	3

*low speed only applies if fan used with FR22/30 controller. If controller not used fan is only single (high) speed

The Range

With commercial wall space at a premium, sometimes the only way is up!

Xpelair **RX** models are a neat way of ventilating through glazed and solid roofs and can be used vertically in windows on exposed sites such as coastal areas and high rise buildings. The commercial duty roof fans are particularly suitable for pubs, restaurants, offices, kitchens, factories, and squash courts, schools in areas like changing rooms, and kiln rooms and a wide range of shops.

The contoured high gloss white housing is sleekly styled. For safety, a finger guard is integrated into the ultra slim high gloss ABS fascia. The UV stabilised roof cowl assembly is a generous size to provide weather protection at all angles. They are suitable for single and sealed double glazed windows and panels up to 25mm. Installation in wire cast and sealed double glazed roof lights is rapid using Xpelair's unique metal ladderstrip and screw system, ensuring a secure and weather-tight

compression seal. For flat roofs an optional roof mounting plate allows **RX** models to be fitted to dressed curbs.

Both the **RX9** & **RX12** are reversible. All models offer a passive trickle vent option for background ventilation when the fan is off. On **RX9** & **RX12** units a positive plug and socket assembly provides a means of isolation for service access without the safety risk of accidental disconnection.

RX9 & **RX12** models feature totally enclosed external rotor motors providing constant volume outputs, even in gusty external conditions. Pre-balanced sickle bladed impellers eliminate 'fan judder' and ensure quiet trouble free operation. Sealed for life maintenance free bearings ensure suitability for running at any angle. Running costs are impressively low, and when not in use the silent electro-thermal shutter cassette closes silently against backdraughts. And cleaning has never been easier. The housing, shutter cassette and impeller are all removed in seconds.

Models

RX6

Ref. 90818AW

- High performance extract only axial flow ventilation unit
- Operated by remote On/Off switch (not supplied)
- Suitable for single and sealed double glazed windows and panels up to 25mm
- Built in electrothermal shutter cassette
- Passive trickle vent option for background ventilation with fan Off
- Easy clean high gloss ABS housing
- Roof cowl assembly in UV stabilised material provides weather protection at all roof angles
- Unique metal ladderstrip/screw connection to external grille for security and weathertight seal
- Supply voltage 220-240V 50Hz

RX9

Ref. 90424AW

RX12

Ref. 90425AW

- High performance intake/extract axial flow ventilation unit
- Balanced external rotor motor and sickle bladed impeller for quiet efficiency
- Choice of optional controllers
- Tamper-proof internal connection safety plug and socket

Typical Specifications on page 170.
Wiring Diagrams on page 186.
Controller Details on page 102.

Controllers

Single Fan Controller FR22/30

Ref. 21868AW

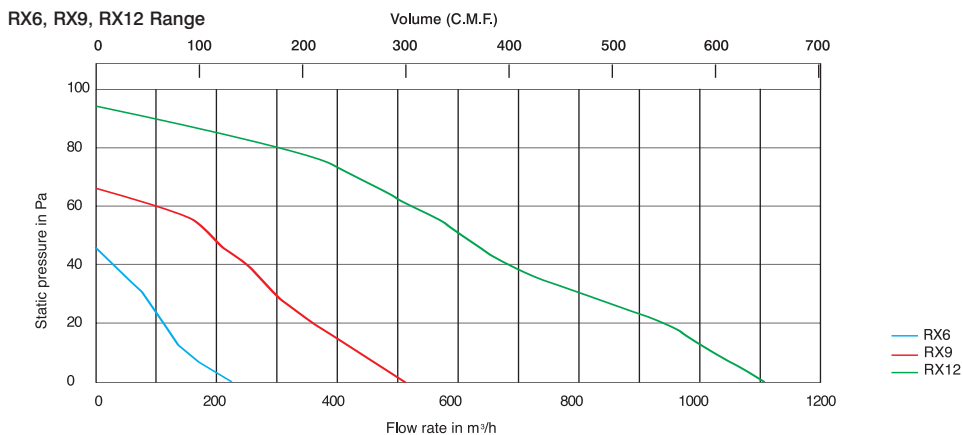
- For use with RX9 and RX12
- On/Off control with neon indicator. Used to select between high and low speed, intake and extract

Group Fan Controller EC6H

Ref. 21854AW

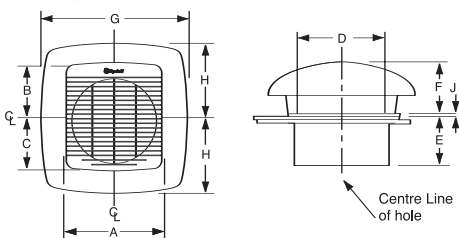
- For use with RX9 and RX12
- On/Off control with neon indicator. Infinitely variable speed selection controls extract and intake air flow. For use with up to four fans (not mixed sizes)

Performance



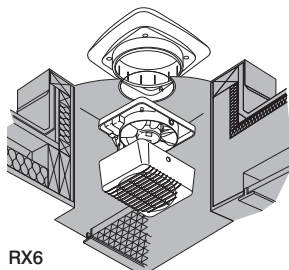
Dimensions (mm)

RX Range



Model	Dimensions (mm)								
	A	B	C	D	E	F	G	H	J
RX6	210	119	107	184	112	127	319	160	4/35
RX9	312	165	147	257	117	159	438	219	4/35
RX12	380	216	192	234	161	197	554	277	4/35

Installation and Accessories



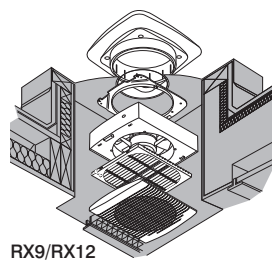
RX6

Kerb Mounting

Hole diameter: 184mm

Installation Accessories

Roof Mounting Plate Ref. 00370AK
 Kerb detail see **commercial accessories** on page 91



RX9/RX12

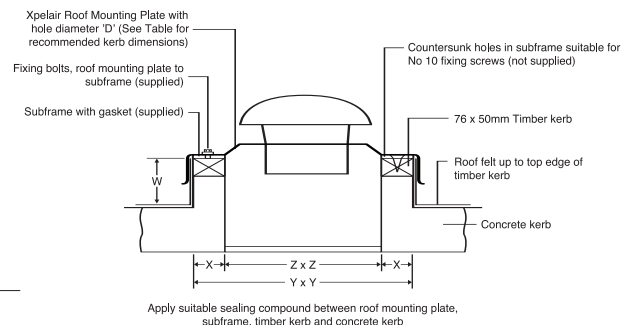
Kerb Mounting

Hole diameter: 257mm (RX9)
 324mm (RX12)

Installation Accessories

Roof Mounting Plate Ref. 00371AK
 Kerb detail see **commercial accessories** on page 91

Roof Mounting Plate XRP for flat roof applications



Model	Dimensions (mm)				
	W(min)	X	Y	Z	D hole
RX6	152	76	527	375	184
RX9	152	76	711	559	257
RX12	152	76	711	559	324